

STONE BRICK LIGHT

墙砖灯



Landscape
景观照明



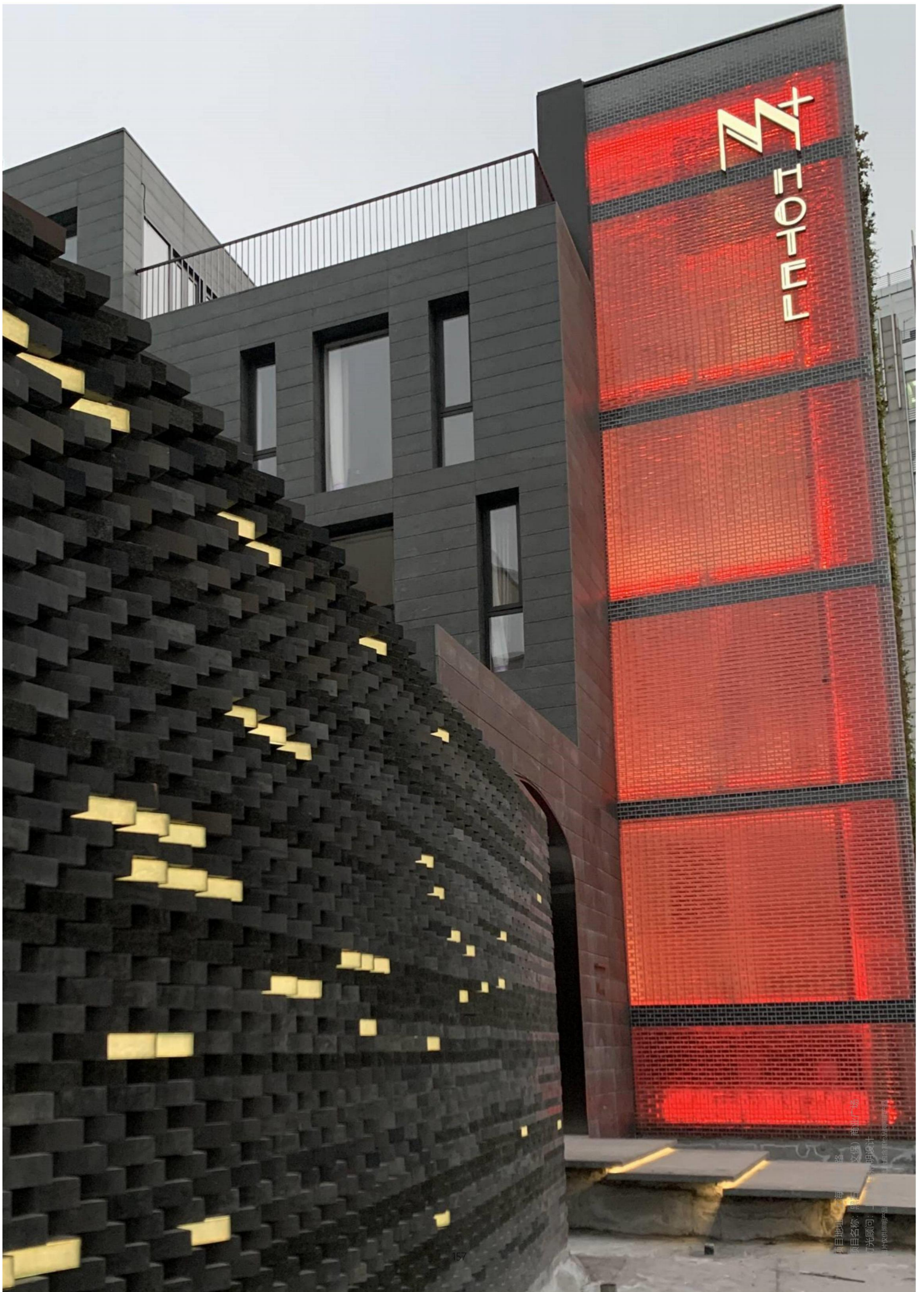
Architectural
建筑照明

3 W
12 W



表面
安装





项目地址：上海
项目名称：某巨
灯光顾问：一
户俊明照明产品

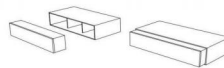
BRICK LIGHT

砖头灯

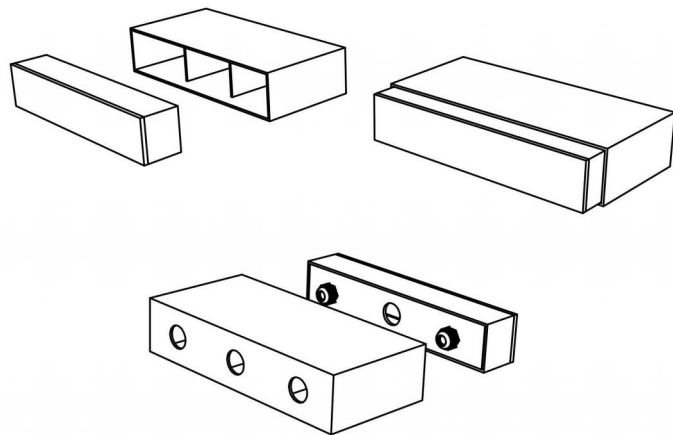
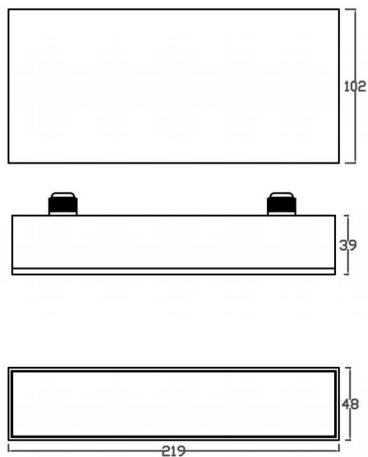
SPECIFICATION / 规格参数

	SL-BK-5W-MONO			SL-BK-5W-MONO-DMX			SL-BK-5W-RGB			SL-BK-5W-RGB-DMX			
Dimension	240*115*53mm			240*115*53mm			240*115*53mm			240*115*53mm			
Work Voltage	DC24			DC24			DC24			DC24			
Power	5W			5W			5W			5W			
Color / CT	3000K	4500K	6000K	3000K	4500K	6000K	RGB / 16K COLOR			RGB / 16K COLOR			
LED QTY	12			12			12			12			
CRI	Ra > 90			Ra > 90			Ra > 90			Ra > 90			
Light Source Lumen output (lumen)	300	360	420	300	360	420	300	360	420	300	360	420	
Work temperature	<80°C			<80°C			<80°C			<80°C			
Installation	Wall mount & Preset housing			Wall mount & Preset housing			Wall mount & Preset housing			Wall mount & Preset housing			
Fixture material	Aluminum & Tempered glass & Stainless steel			Aluminum & Tempered glass & Stainless steel			Aluminum & Tempered glass & Stainless steel			Aluminum & Tempered glass & Stainless steel			
IP rate	IP65			IP65			IP65			IP65			
Light Control Protocol	DMX	-		○		-		○		-		○	
	PWM	○		-		○		-		○		-	
	ON/OFF	○		-		○		-		○		-	
Beam Angle (degree)	120			120			120			120			
Surface material	磨砂钢化玻璃	石材面板	透光混凝土	磨砂钢化玻璃	石材面板	透光混凝土	磨砂钢化玻璃	石材面板	透光混凝土	磨砂钢化玻璃	石材面板	透光混凝土	

Product Drawing

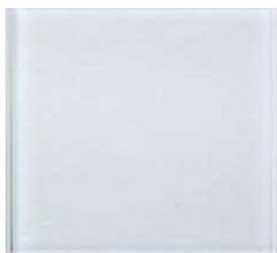


LIGHT PARAMETERS / 光学参数



STONE BRICK LIGHT SURFACE MATERIAL / 墙砖灯完成面材质

TEMPERED GLASS / 钢化玻璃



GS-A

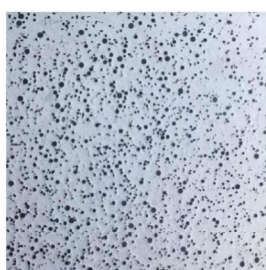


定制釉面钢化玻璃

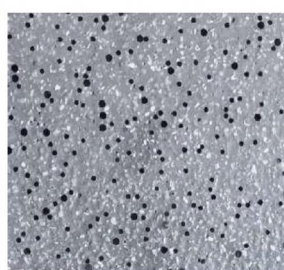
CEMENT COATED LAYER / 透光混凝土表面处理



CT-A



CT-B



CT-C

BONDED STONE LAYER / 复合石材表面



ST-A



ST-B



ST-C



ST-D



ST-E



ST-F



ST-G



ST-H